

USER MANUAL FOR PORTABLE GAS HEATER

MINI HEATFORCE

**MODEL : LD-468A mini
505-120**

**CATEGORY: 13b
Butane (G30) 28-30 mbar
Destination : GB & IE**

**FOR YOUR SAFETY, PLEASE READ THIS MANUAL
CAREFULLY BEFORE USING YOUR GAS APPLIANCE.
KEEP YOUR INSTRUCTIONS IN SAFE PLACE FOR
FUTURE REFERENCE.**

Installation

Your LPG heater is a safe and efficient form of heating when used exactly according to these instructions

Read and fully understand these instructions before operating your heater. If you do not understand the instructions, please contact your Dealer for advice before using the heater.

You should have purchased suitable gas cylinder with this heater, 7KG Butane.

Heater set-up

1. After the heater has been removed from its packaging, remove the back panel from inside the back cavity.
2. **Fold out the gas bottle tray extension before positioning your gas bottle**
3. Place the filled gas cylinder into the back of the heater with the valve outlet facing outwards.
4. Connect the gas regulator onto the outlet of the gas cylinder valve.
5. **IMPORTANT TEST for leaks:**

This must be carried out in a well-ventilated area, free from any open flames or other sources of ignition.

With the regulator connected to the cylinder.

Brush all hose connections, pipe connections to the gas valve, regulator connection to the cylinder and gas cylinder valve with a 50:50 solution of detergent and water. A stream of bubbles forming is an indication of a leak. If a leak is found, turn off the valve on the regulator, disconnect the regulator from the gas cylinder and remove the gas cylinder to a cool, outdoor well-ventilated area. Contact your Dealer or gas supplier for assistance.

DO NOT USE THE HEATER IF A LEAK IS FOUND.

DO NOT USE A NAKED FLAME FOR LEAK TESTING.

DO NOT OPERATE ANY ELECTRICAL EQUIPMENT IN THE PRESENCE OF A GAS LEAK.

6. After leak-testing is satisfactorily carried out, fit the rear panel onto the heater. It may be necessary to twist the cylinder slightly to allow the regulator and hose to fit inside the back panel without kinking the hose.

Note: the heater incorporates several safety devices that will shut down the heater in unsafe conditions.

The first is in the case of accidental flame failure, the gas heater will shut down automatically.

The second device will turn off the heater if there is insufficient oxygenation of the atmosphere in which the heater is being used. Adequate ventilation must be maintained for the safe and efficient operation of your heater.

Technical Characteristics:

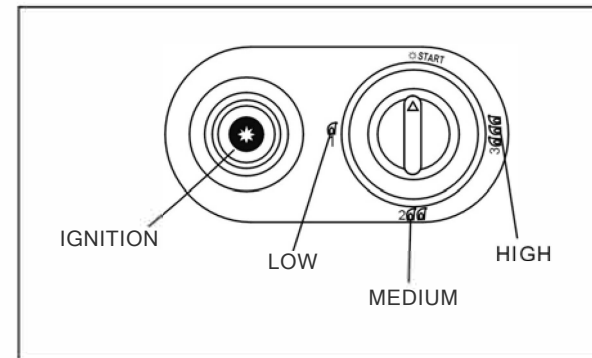
Type: Infrared Space Heater, Portable gas heater, equipped with Oxygen depletion system and flame failure Device.

Dimensions	: 420*310*595(W*D*H)
GATEGORY	: 138(28-30)
Gas	: BUTANE
PRESSURE	: 28-30MBAR
Heat Input	: 4.2KW-305G/H
Injector size	: 0.60mm
Ignition System	: Piezo Electric
Cylinder Type	: up to 7kg cylinders
Country of Destination:	GB IE

Lighting instruction:

The heater can be regulated to three different heat settings: 1-LOW, 2-MEDIUM and 3-HIGH. Ignition mode: piezo ignition.

- Open the valve on the Gas Regulator.
- Press down and turn the control knob anticlockwise to 1-LOW position and hold down for 30 seconds.
- While still pressing down the control knob, press repeatedly on the ignition button until the pilot light (at the bottom of the burner) ignites. Continue to hold the control knob down for 30 seconds more this is to heat the thermocouple probe. When releasing the button, if the pilot flame goes out, repeat the above operation.



Note: On first lighting a heater from new or after a period of non use, it may be necessary to hold the control knob down for a longer time than stated above in order to allow gas to flow to the pilot and purge air from the system.

Once the heater is alight at the 1-LOW setting, depress the control knob slightly and turn to 2-MEDIUM or 3-HIGH position, this will light the second and third panel respectively.

To turn off the heater, return the control knob to the START position and close the valve on the Gas Regulator. **The heater can only be turned off by closing the valve on the Gas Regulator. It cannot be turned off by the control knob on the heater.**

Changing the cylinder:

Disconnect the Gas Regulator from the cylinder and allow the heater to cool fully before removing and replacing the cylinder. Do not attempt to remove the regulator from the gas bottle while the heater is alight.

Maintenance:

- Before maintenance and cleaning, the gas regulator must be disconnected from the cylinder and the heater should be cold. Do not attempt to clean the heater while it is in use.
- Your heater should be checked annually by qualified Gas Safe Engineer for safe operation and to detect any faults.
- If any faults are detected in use, stop using the heater and contact your dealer for advice or Gas Safe Engineer.
- Periodically clean the exterior and storage area of your heater to remove dust and lint build-up on the surfaces of the ceramic plaque. Do not knock these plaques as they may become very fragile in use.
- Do not use abrasive products to clean the heater.
- Watch the pilot light while it is in operation. It should burn steadily. If it flickers or has a yellow flame, the heater should be checked for correct operation.
- If any parts need replacing, they must be replaced only with correct parts supplied by the original manufacturer. The use of incorrect or substitute parts may be dangerous and will void any warranty.

Technical assistance before calling for further help

The heater doesn't light:

- Check the gas cylinder is full
- Check the regulator if it is properly attached and the valve on the regulator is turned on.
- Check that the instructions have been followed correctly.

If this happens after the cylinder has been changed it could be due to:

- Air in the cylinder - hold the control knob down for a longer period of time until the pilot and main burner light. Switch to the 3-HIGH setting.
- The cylinder may have been excessively cold. Allow the cylinder to reach room temperature before attempting to start the heater.

The heater turns off by itself:

- If the heater turns off by itself after continuous working, repeat the operation, following the instructions faithfully.
- If it goes out soon after lighting, check for drafts or for the gas cylinder running out of gas.
- If it goes out after 30 minutes or so, it is signaling that it is operating in a badly ventilated area. Open a window or door to ventilate the area and re-ignite.

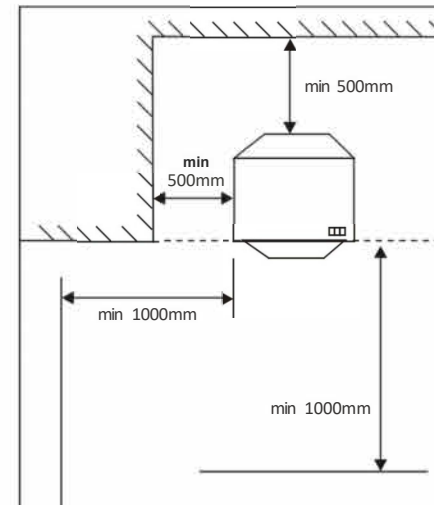
Important advice

Read the instructions in this manual carefully. It has important information both for operation and your safety.

- Do not use faulty appliances.
- Maintenance and repairs must be carried out by a qualified Gas Safe Engineer only.
- Your heater should be checked annually by a qualified Gas Safe Engineer for safe operation and to detect any faults.
- Retain these instructions for future reference. If necessary, a new copy may be obtained from your dealer.

Safety information

- This is a flueless heater. Ensure the room is ventilated while the heater is in operation. Do not operate in a bedroom, caravan, boat, tent, awning or any room less than 80 cubic metres in volume.
- Do not place the heater near walls, curtains or furniture while in operation. The heater works always facing towards the center of the room. Correct position indicated as below:



At MAX setting the Heater requires a MINIMUM of 52.5 Sq Cm of ventilation both at a high and low level within the room, YOUR HEATER CONSUMES OXYGEN WHILE IT IS WORKING. FOR THAT REASON ADEQUATE VENTILATION SHOULD BE PROVIDED IN ROOMS IN WHICH THE HEATERS IS USED. THIS ENSURES THE REMOVAL OF PRODUCTS OF COMBUSTION AND ALLOWS THE ENTRY OF REPLACEMENT AIR.

- The heater **must not** be moved whilst in operation.
- Do not place objects on or against the heater.
- The front guard on this appliance conforms to standard requirements. It does not give full protection for young children or the infirm. The guard is to prevent risk of injury and no part of it should be removed or altered.
- This appliance needs testing for leaks before initial use and whenever the cylinder has been changed. **NEVER USE A NAKED FLAME TO TEST FOR LEAKS, use leak detection spray or warm soapy water.**
- Always disconnect the regulator from the cylinder whenever the heater is not in use.